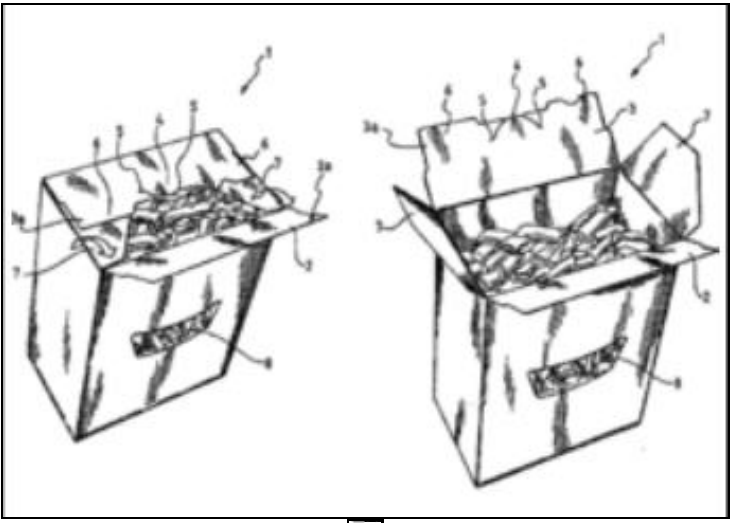
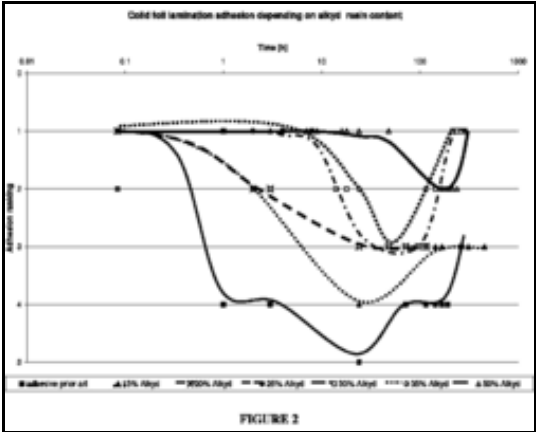


Revised Sample patents

S.No.	Patent/Publication No.	Publication Year	Assignee / Applicant	Title	Image
1	US8459537B2	2013	Barilla g. E r. Fratelli s.p.a. moglia, roberto amigoni, michele innocente, mario	Easy reclosing system for a container for dry foodstuffs and related container	
2	WO2012154909A3	2013	Sun chemical corporation johnke, christian frischkorn, jurgen	Cold foil adhesives used in food & non food packaging applications	 <p style="text-align: center;">FIGURE 2</p>
3	WO2013008938A1	2013	The osaka printing ink mfg. Co., ltd. yoshimoto printing inc. mutumikagaku co., ltd. tujiuchi, shuji yoshimoto, takashi wada, naruhiro	Food packaging paper	NA
4	WO2013002639A1	2013	Van steen-dekker beheer bv balke management bv balke, marcellinus sijbrandus lucas heimans, nicolaas marinus	Food packaging	

--	--	--	--	--

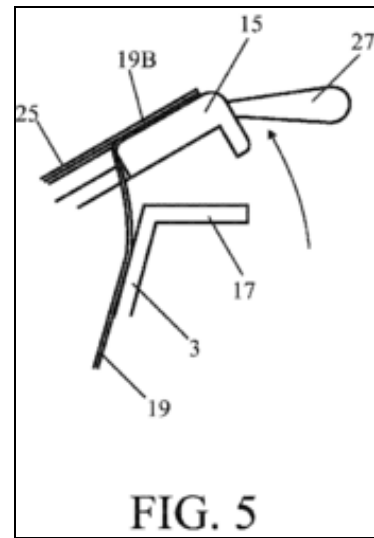
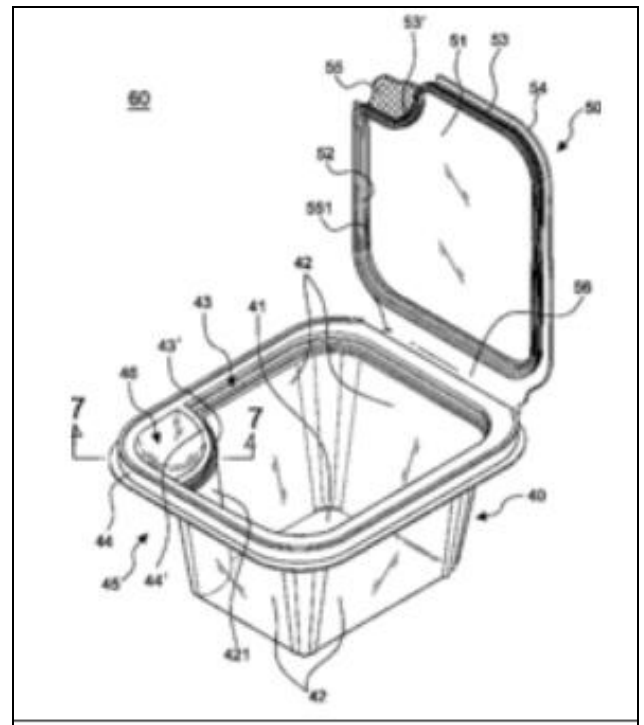


FIG. 5

5	US8240505B1	2012	None	Easy-open sealing type food container
---	-----------------------------	------	------	---------------------------------------



6	WO2012156082A1	2012	Amcor flexibles kreuzlingen ltd jud, wilfried	Foil packaging
---	--------------------------------	------	---	----------------

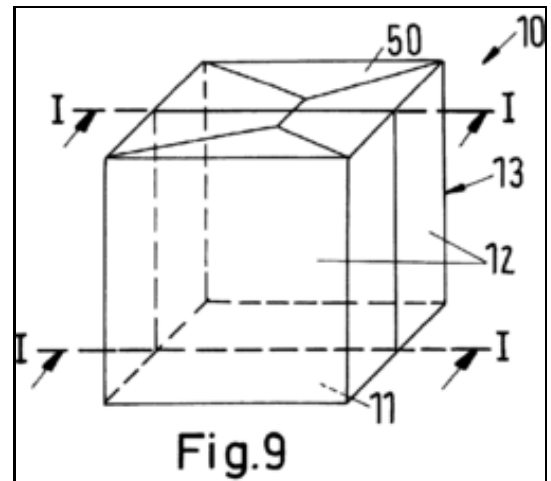
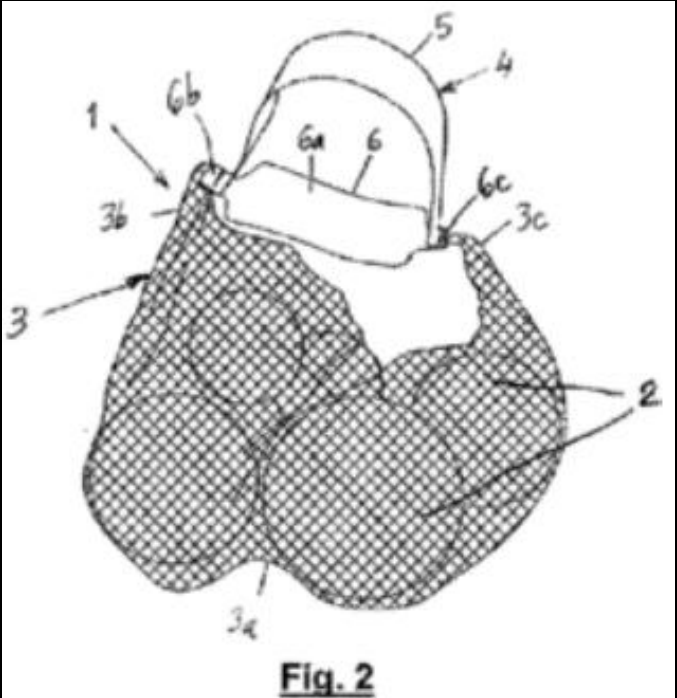
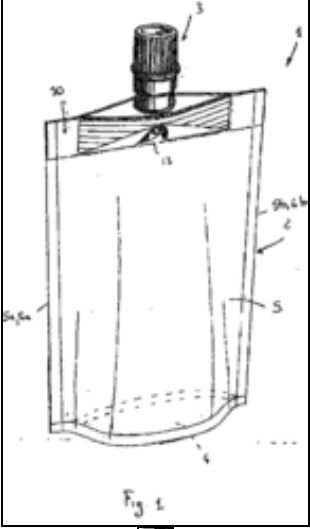
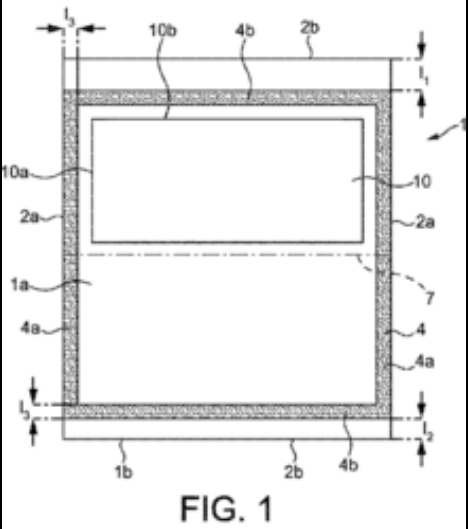
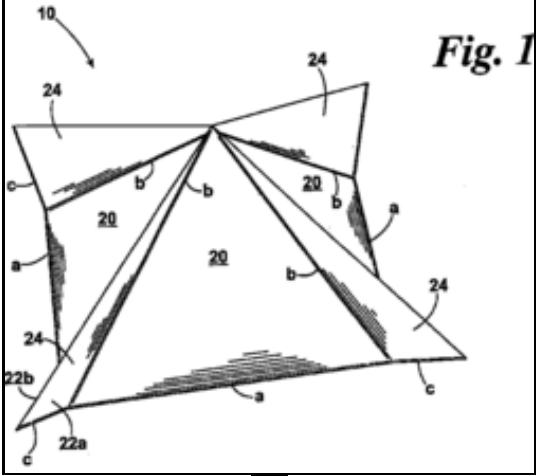
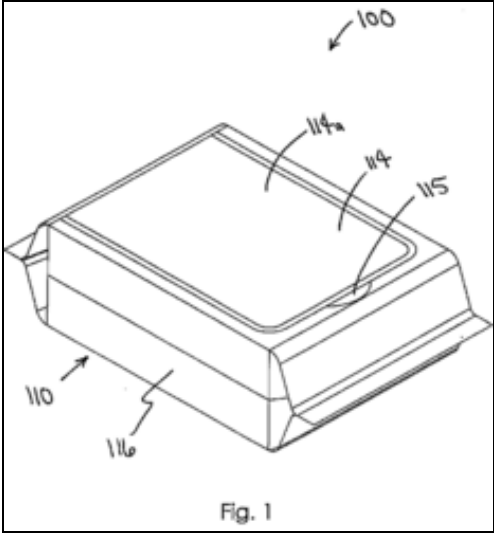
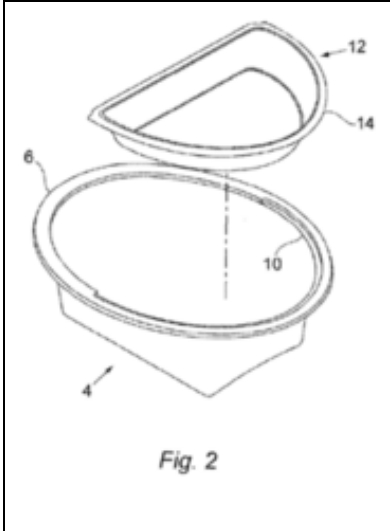
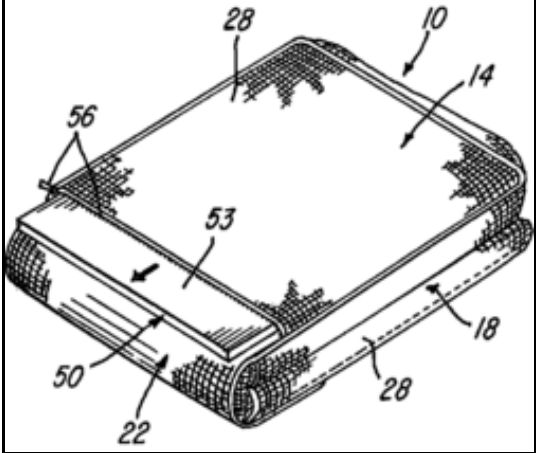
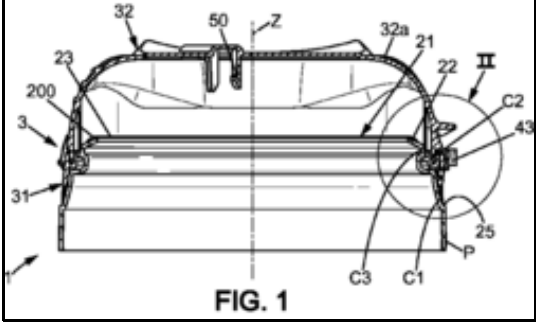


Fig. 9

7	EP2128036B1	2011	Girnet internacional, s.l.	Bag for packaging food products	 <p style="text-align: center;">Fig. 2</p>
8	EP2143658B1	2011	Grc pack luxembourg s.a.	Package for food products, and a method for packaging a food product	 <p style="text-align: center;">Fig. 1</p>
9	EP2323917A1	2011	Nestec s.a.	Easy opening packaging for food products	 <p style="text-align: center;">FIG. 1</p>

10	EP2307285A1	2011	Cadbury holdings limited	Package for foldably packaging a food product	
11	WO2011139268A1	2011	Liberatore, nekae	Animal food and packaging therefor	
12	GB2476365A	2011	Avondale foods, limited	Food packaging for two different food products to be stored separately	

13	US7791003B2	2010	Covertex corporation	Collapsible insulated food delivery bag	
14	WO2010040965A1	2010	Compagnie gervais danone vandamme, patrick	Food packaging with a closing lid	 <p style="text-align: center;">FIG. 1</p>